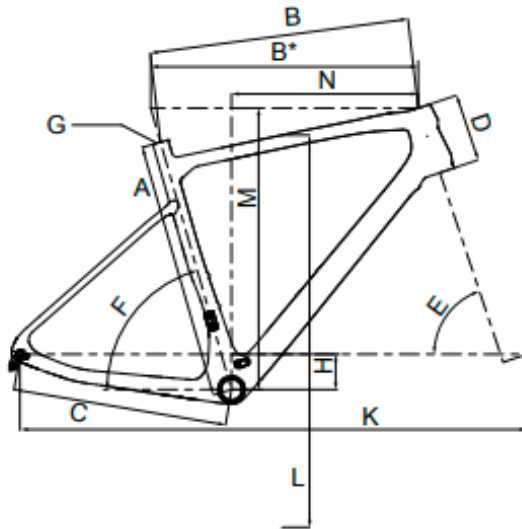


URBAN

SWEEP 6 EQ / 4 EQ / 6 / 4



SEATPOST DIAMETER	27,2 mm
HEADSET DIMENSION	ZS44/ZS56
BB STANDARD	BSA68
HANGER TYPE	BGM-HC30
MAX. ROTOR SIZE	160 mm

FRAME SIZE	48 cm	52 cm	56 cm	60 cm
BB CENTRE TO TOP OF SEATTUBE	A 465 mm	520 mm	560 mm	600 mm
TOP TUBE PARALLEL	B 553 mm	560 mm	570 mm	590 mm
TOP TUBE HORIZONTAL	B* 575 mm	580 mm	585 mm	600 mm
CHAINSTAY	C 430 mm	430 mm	430 mm	430 mm
HEADTUBE LENGTH	D 135 mm	155 mm	165 mm	175 mm
HEAD ANGLE	E 73,0 °	73,0 °	73,0 °	73,0 °
SEAT ANGLE	F 74,0 °	74,0 °	74,0 °	74,0 °
BB OFFSET	H -55 mm	-55 mm	-55 mm	-55 mm
WHEELBASE	K 1.045 mm	1.050 mm	1.056 mm	1.070 mm
STANDOVER HEIGHT	L 754 mm	795 mm	820 mm	847 mm
STACK	M 557 mm	577 mm	586 mm	596 mm
REACH	N 415 mm	415 mm	417 mm	429 mm
FORK LENGTH	O 405 mm	405 mm	405 mm	405 mm
FORK RAKE	P 48 mm	48 mm	48 mm	48 mm